

PALCO™

FASTFIT



| | |
|---------------------------|----------------------------|
| Uniclass L412:L387:P41 | EPIC D122:C471: X412 |
| CI/SfB (35.3) | Xh2 |

Ceiling Access Panel Kits

Designed for concealed and exposed metal tile ceilings.

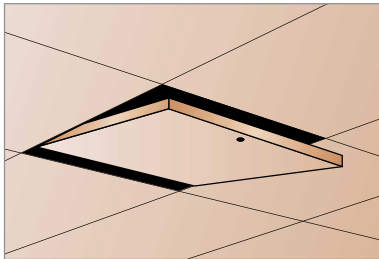


Fig. 1 Panel Ref. CP7
Square tile with concealed hinge hook bolt system supported from 'T' or 'A' main runner sections. Locking to 'T' or 'A' main runners.

Introduction

Range 7 **Requirements:** To enable PALCO to manufacture Range 7 effectively, we will require a section of the RUNNERS and the required number of tiles to be delivered to us when order is placed.

Applications

Where frequent access to building services is needed Range 7 converted access tiles can prevent soiling of, and damage to the ceiling. Employ where multi module apertures are required or where the main body of ceiling tiles is non demountable.

Dimensions

Custom made to suit single or multi module tile.

Operation

Range 7 Access tile kits incorporate budget locks operated by long handle keys (supplied by PALCO) inserted into the keyhole following the removal of the plastic keyhole plug.

Ordering

Use CP7 identification, state whether single or multi module, state tile manufacturer's and grid manufacturer's references. Include any special requirements.

Technical Services

We are pleased to advise on the use of our standard products at any stage of a building contract and to provide designs for special applications.

Reference

We reserve the right to modify the products and specifications in keeping with a policy of continuous improvement and development.

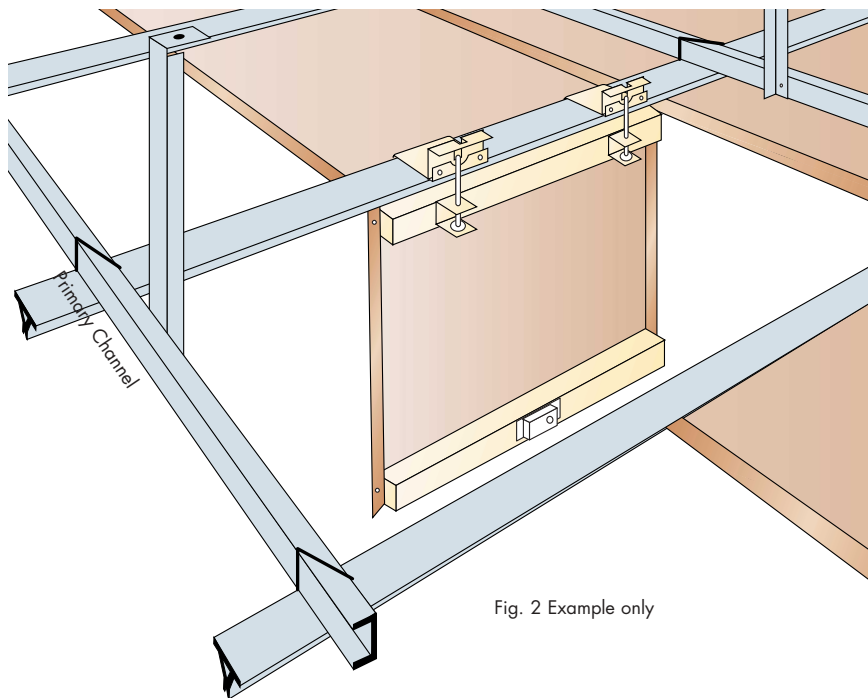


Fig. 2 Example only

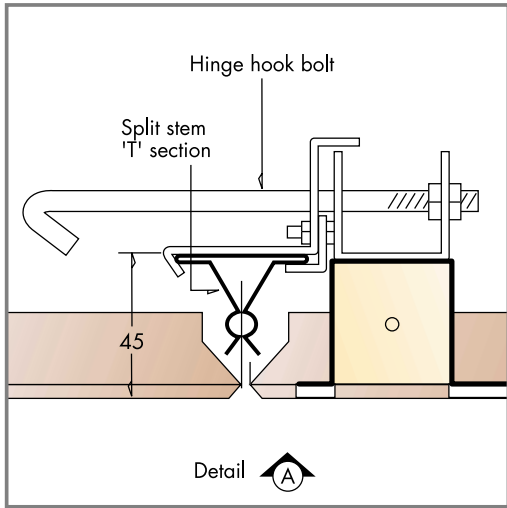


Fig. 6

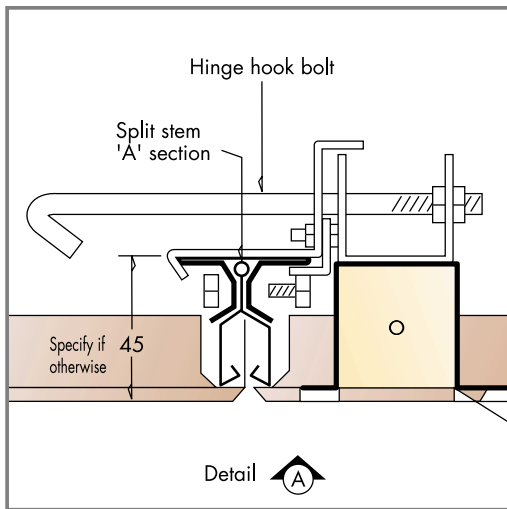


Fig. 8

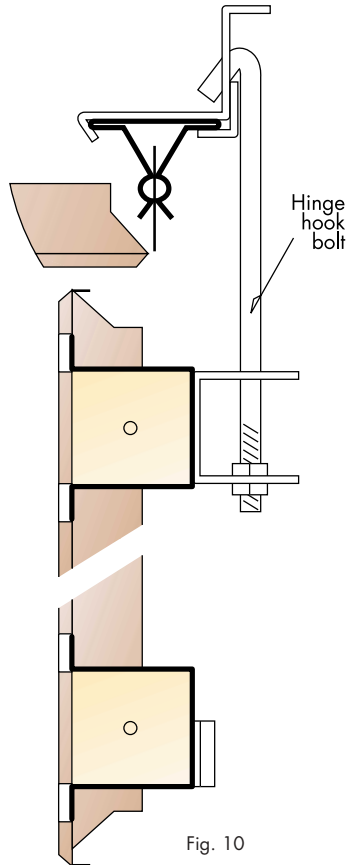


Fig. 10

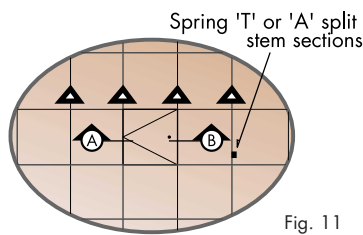


Fig. 11

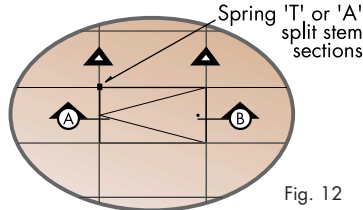


Fig. 12

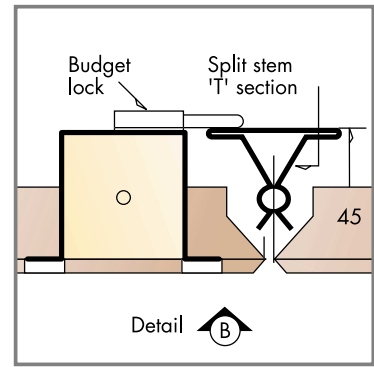


Fig. 7

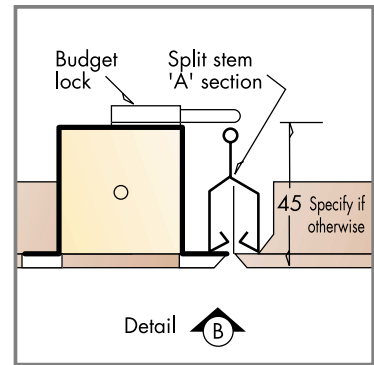


Fig. 9

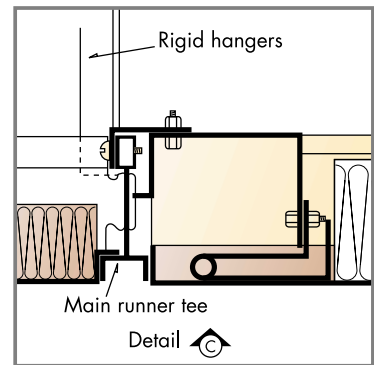


Fig. 14