

PALCO™

FASTFIT



Uniclass L412:L387:P41		EPIC D122:C471: X412	
CI/SfB	(35.3)	Xh2	

Ceiling & Wall Access Panels

30mm Frame depth with chrome slotted lock for most constructions.

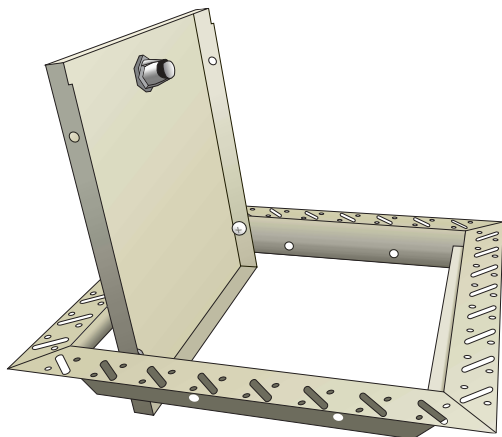


Fig. 1 **Panel Ref. SP24B** SpeedFit access panel (open) with simulated beaded frame and chrome slotted lock

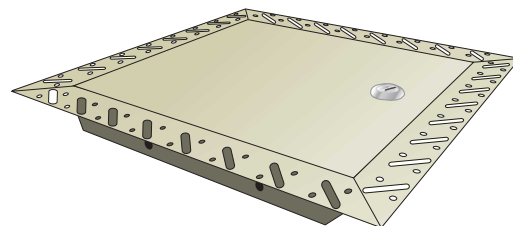


Fig. 2 **Panel Ref. SP24B** SpeedFit access panel (shut) with simulated beaded frame and chrome slotted lock

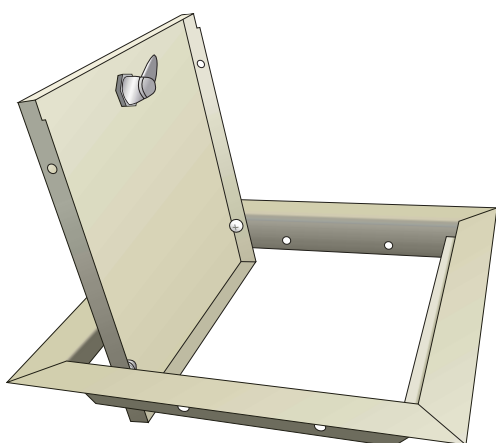


Fig. 3 **Panel Ref. SP24C** SpeedFit access panel (open) with picture frame and chrome slotted lock

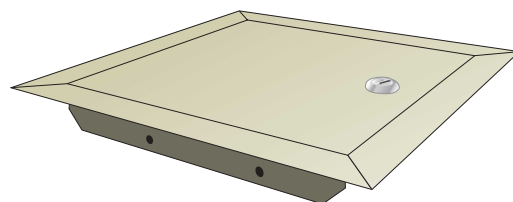


Fig. 4 **Panel Ref. SP24C** SpeedFit access panel (shut) with picture frame and chrome slotted lock

Introduction:

The SpeedFit Access Panel consists of a fully removable metal door which is polyester powder coated in white RAL 9010; complete with either a picture frame surround or a simulated beaded frame for tape and joint or skim coat on site.

The hinge pin detail allows the door to be quickly removed if required and comes complete with a chrome slotted lock which can be opened using a coin or a screwdriver.

Frame: 1mm thick zintec 30mm deep profile finished as door leaf.

Application: The SpeedFit Access Panel is suitable for use in both walls and ceilings and can be either screw fixed in position or glued using a suitable adhesive.

Available Sizes: No other sizes are available in this Range SP24B – simulated beaded frame
200x200 300x300
450x450 600x600

SP24C – picture frame
200x200 300x300
450x450 600x600

Applications: For use in walls or ceilings where no special requirements are necessary. There are no extra options available on this range.

Panels can also be made in Stainless steel if required.

Ordering: Use product code SP24B or SP24C quote panel dimension

Supply: Refer to PALCO

Technical services: We are pleased to advise on the use of our standard products at any stage of a building contract and to provide designs for special applications.

We reserve the right to modify the products and specifications in keeping with a policy of continuous improvement and development.

1a Bridle Close, Finedon Road Industrial Estate,
Wellingborough, Northamptonshire NN8 4RN, England
Tel +44 (0) 1933 228500 Fax +44 (0) 1933 228580
Email info@palcouk.com Web www.palcouk.com